

IZ3ZVO

Italian Amateur Radio Station

How to Build a Homebrew Programming Cable for a Anytone AT-5888UV / Intek HR-2040 / Polmar DB-50M / Powerwerx DB-750X / CRT-270M

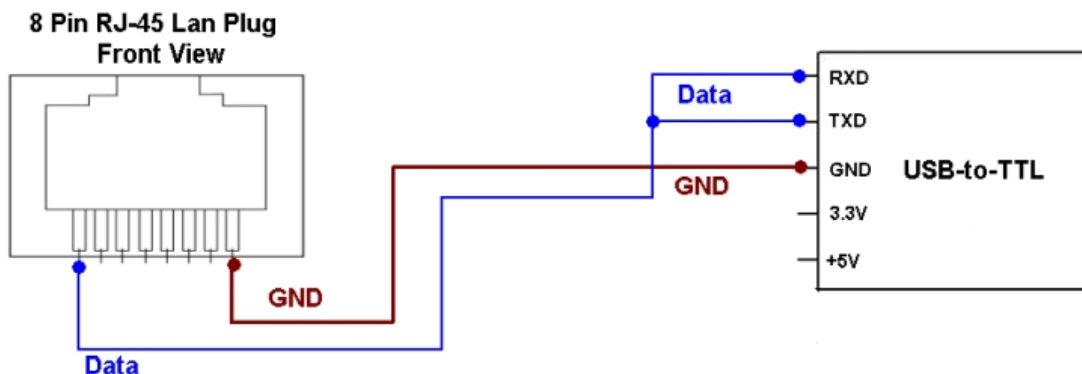
Here is a simple project for a homebrew USB programming cable which works with the Anytone AT-5888UV and its clones, using only one USB-to-TTL serial converter, one 8 pin RJ-45 plug and a piece of shielded wire, or a piece of old lan cable with connector. The program cable is used with these transceivers by plugging it into the microphone socket.

Materials:

- 1 USB-to-TTL converter (Prolific PL2303 or Silabs CP2102 work fine);
- 1 RJ-45, 8 pin lan connector (or 1 old PC Lan cable).

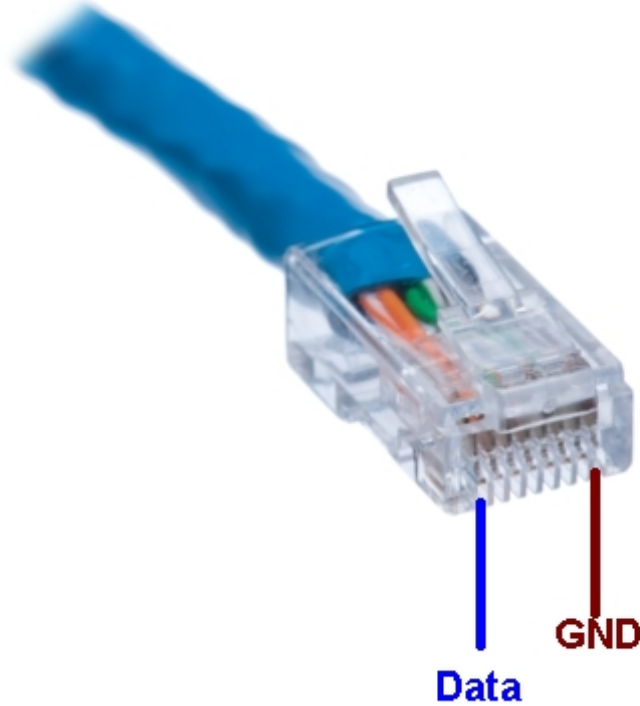
Schematic

Anytone AT-5888UV / Intek HR-2040 / ... / Programming Interface



Program Cable Anytone AT-5888UV, Intek HR-2040, Polmar DB-50M [...] schematic

Anytone AT-5888UV / Intek HR-2040 / [...] Programming Cable Pinout



Anytone AT-5888UV / Intek HR-2040 Programming Cable Pinout



Polmar DB-50M / Powerwerx DB-750X



Anytone AT-5888UV / Intek HR-2040 / CRT-270M (image from hamgear.wordpress.com)

Share: 